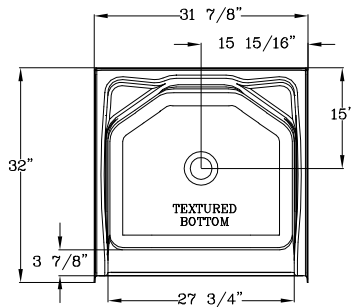
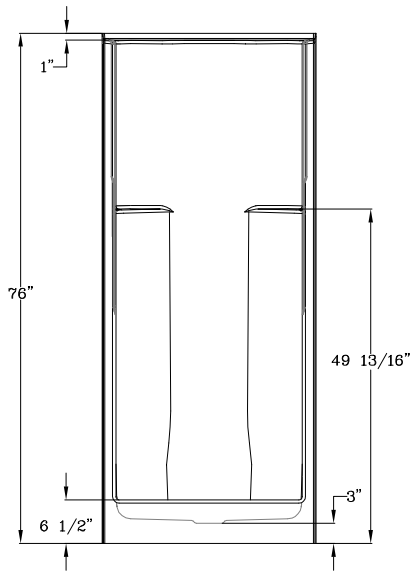


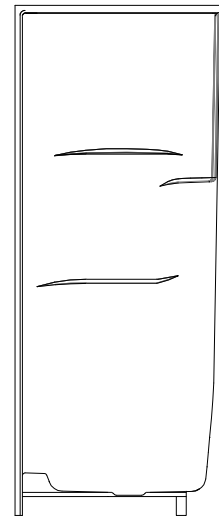
INFORMATION IN THIS DRAWING IS SUBJECT TO CHANGE WITHOUT NOTICE. NO PART OF THIS DRAWING MAY BE REPRODUCED OR TRANSMITTED IN ANY FORM OR BY ANY MEANS, ELECTRONIC OR MECHANICAL, FOR ANY PURPOSE WITHOUT THE WRITTEN PERMISSION OF AQUA GLASS CORPORATION.




TOP VIEW



FRONT VIEW



SIDE VIEW

TOLERANCE: ±1/4	 320 INDUSTRIAL PARK RD. ADAMSVILLE, TN 38310	PRODUCT OR PART NO.:	DRAWN BY:	GENERAL NOTES SHOWER DOOR OPENING: 27 3/4" X 68 7/16"
REV: 0		313232DC	RYAN DENTON	
SCO NO.:		PRODUCT NAME	DRAWING DATE:	
2065		COMPETITIVE GELCOAT SHOWER	03-06-07	
SCO DATE: 04-02-07				